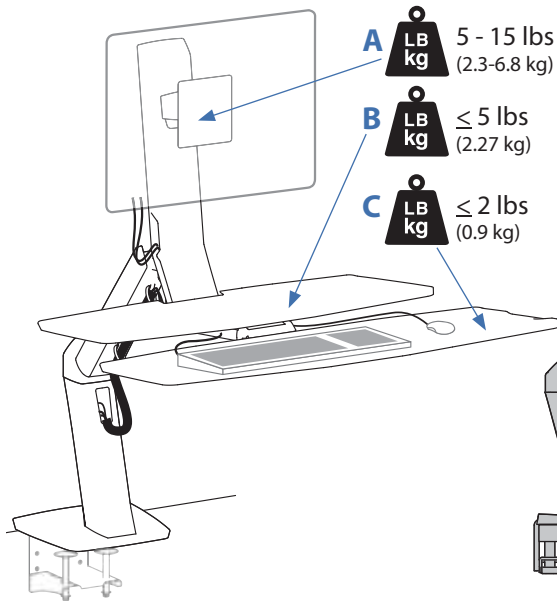


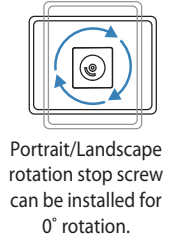
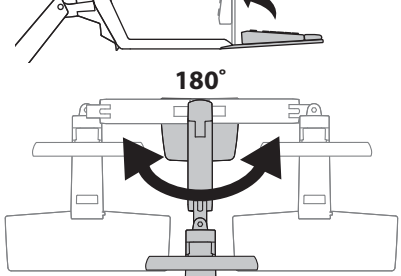
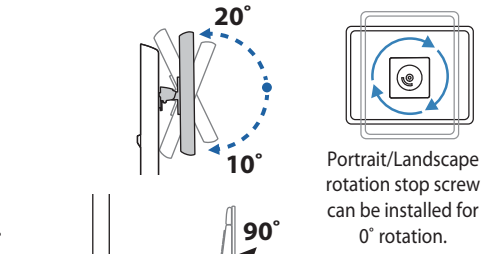
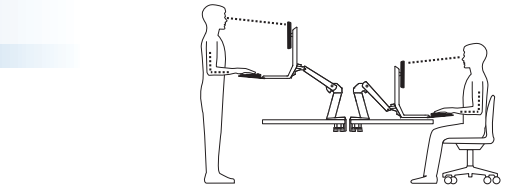
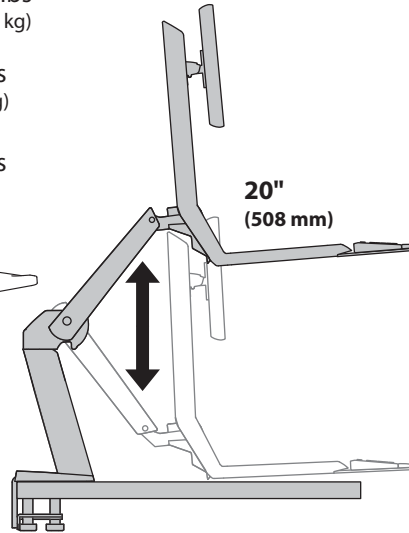
## WorkFit-A, Single LCD Mount, LD

### Dimensional & Range of Motion Illustrations

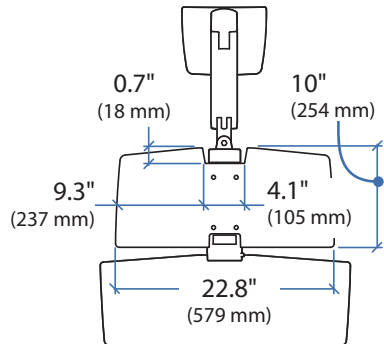
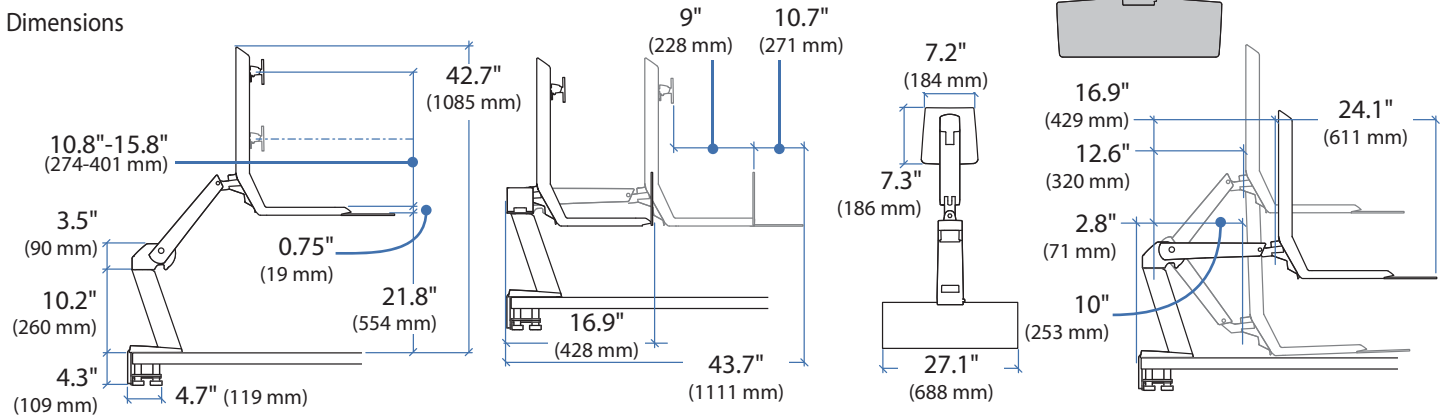
#### Weight Capacity



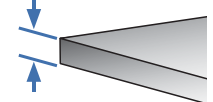
#### Range of Motion



#### Dimensions



Desk Thickness:  
0.78"-2.56" (20-65mm)



© 2013 Ergotron, Inc. rev. 06/03/2013 DIM-WorkFit-Allworksurface Content is subject to change without notification

#### Americas Sales and Corporate Headquarters

St. Paul, MN USA  
(800) 888-8458  
+1-651-681-7600  
www.ergotron.com  
sales@ergotron.com

#### EMEA Sales

Amersfoort, The Netherlands  
+31 33 45 45 600  
www.ergotron.com  
info.eu@ergotron.com

#### APAC Sale

Tokyo, Japan  
www.ergotron.com  
apaccustomerservice@ergotron.com

#### Worldwide OEM Sales

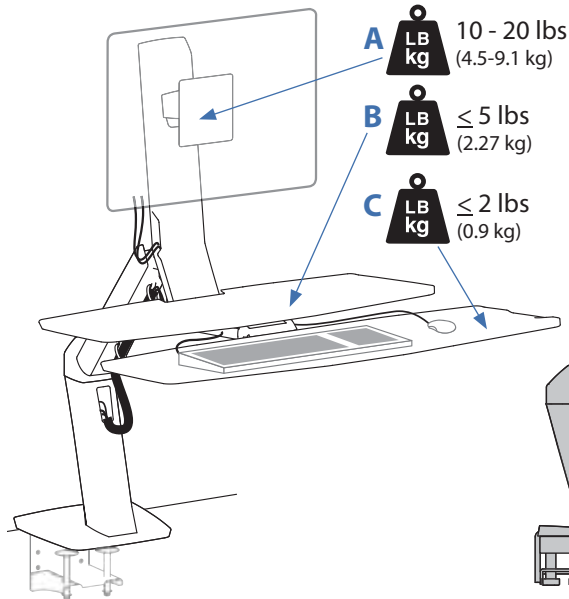
www.ergotron.com  
info.oem@ergotron.com



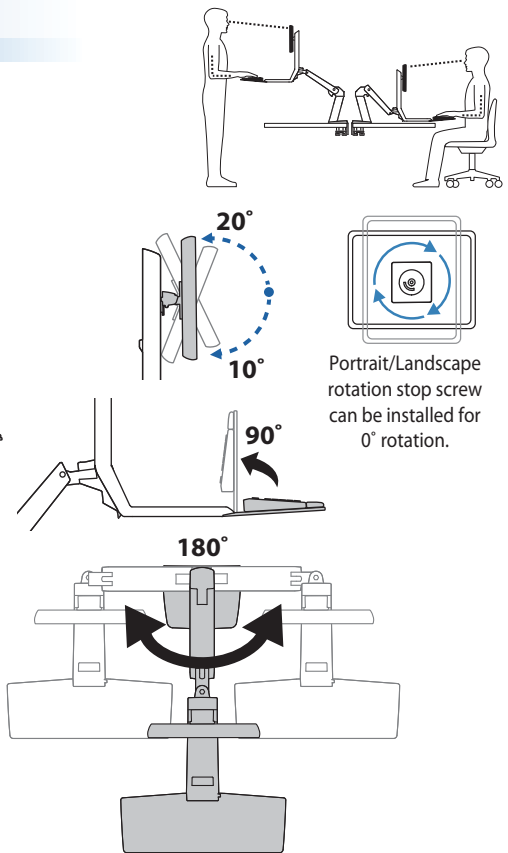
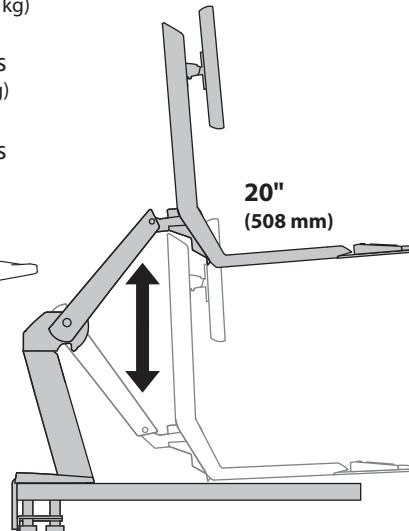
## WorkFit-A, Single LCD Mount, HD

### Dimensional & Range of Motion Illustrations

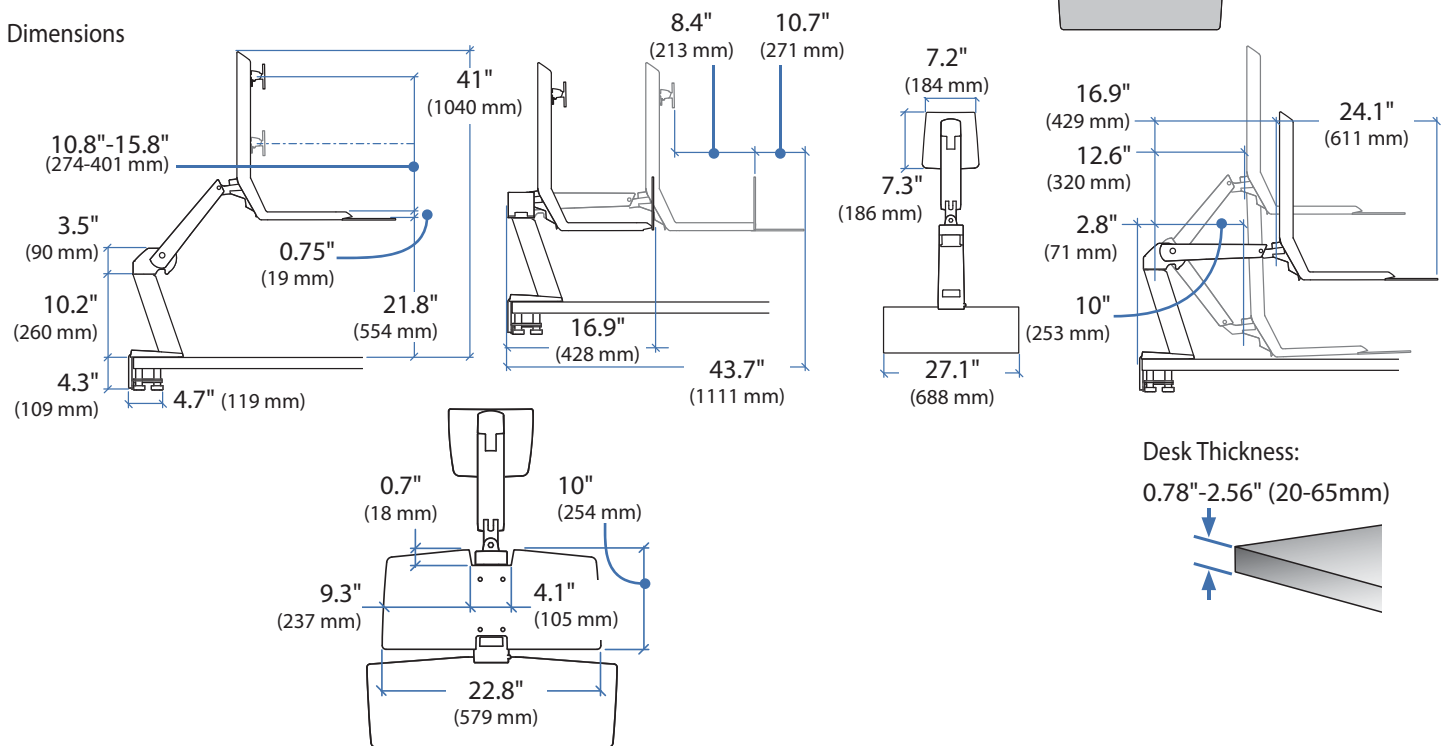
#### Weight Capacity



#### Range of Motion



#### Dimensions



© 2013 Ergotron, Inc. rev. 06/03/2013 DIM-WorkFit-Allworksurface Content is subject to change without notification

#### Americas Sales and Corporate Headquarters

St. Paul, MN USA  
 (800) 888-8458  
 +1-651-681-7600  
 www.ergotron.com  
 sales@ergotron.com

#### EMEA Sales

Amersfoort, The Netherlands  
 +31 33 45 45 600  
 www.ergotron.com  
 info.eu@ergotron.com

#### APAC Sale

Tokyo, Japan  
 www.ergotron.com  
 apaccustomerservice@ergotron.com

#### Worldwide OEM Sales

www.ergotron.com  
 info.oem@ergotron.com

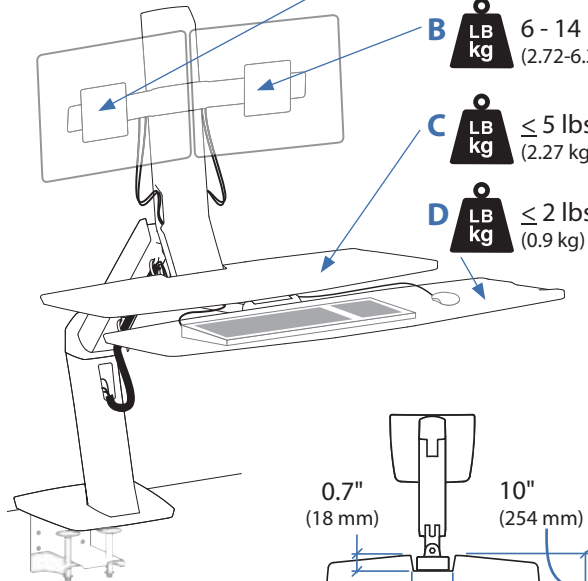


# Ergotron®

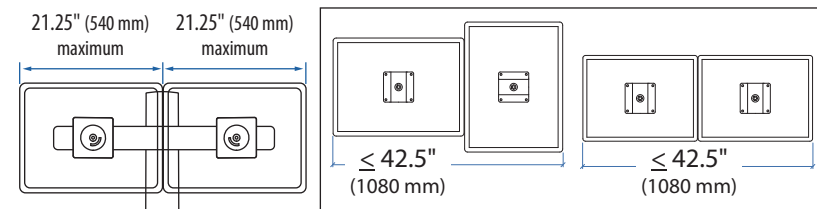
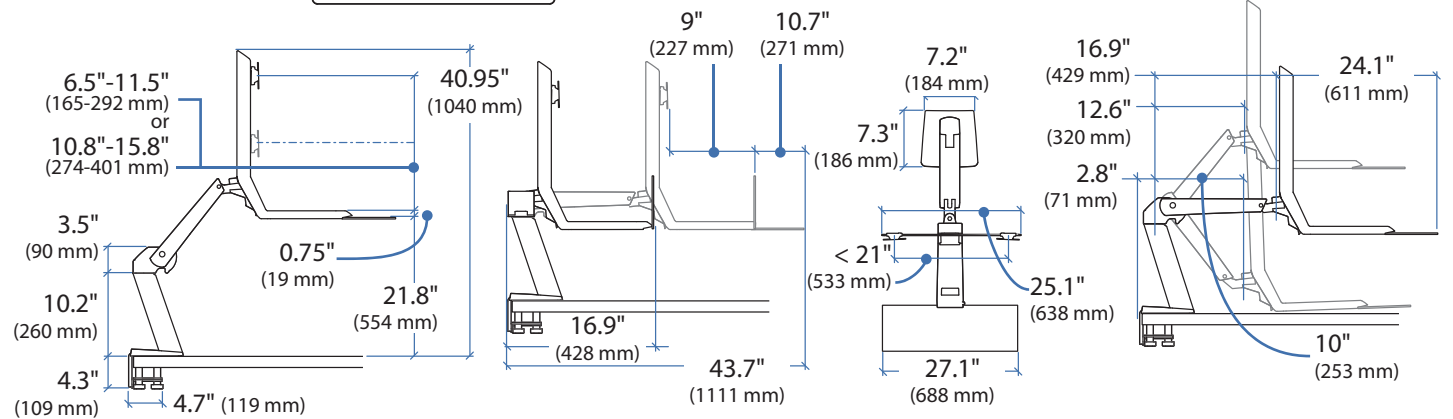
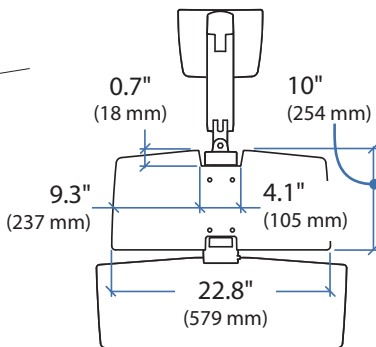
## WorkFit-A, Dual

Weight Capacity:

- A** 6 - 14 lbs (2.72-6.35 kg)
  - B** 6 - 14 lbs (2.72-6.35 kg)
  - C** ≤ 5 lbs (2.27 kg)
  - D** ≤ 2 lbs (0.9 kg)
- A+B** 9-20 lbs (4.1-9.1 kg)

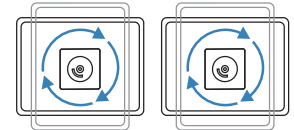
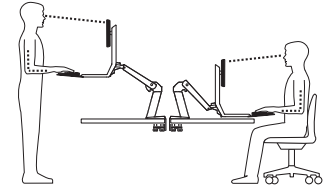


Dimensions

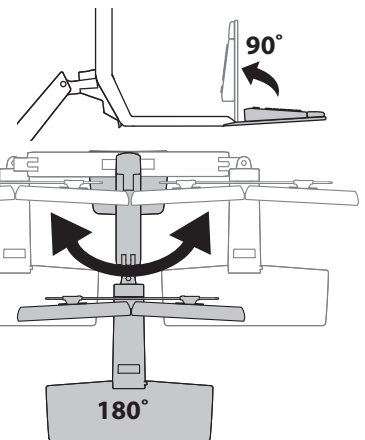


**\*Attention:** Listed allowable widths assume monitor thickness is 2" (51 mm). If monitor thickness is less, allowable width may be more. Contact Ergotron for details.

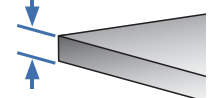
## Dimensional & Range of Motion Illustrations



Portrait/Landscape rotation stop screw can be installed for 0° rotation.



Desk Thickness:  
0.78"-2.56" (20-65mm)



**Americas Sales and Corporate Headquarters**

St. Paul, MN USA  
(800) 888-8458  
+1-651-681-7600  
www.ergotron.com  
sales@ergotron.com

**EMEA Sales**

Amersfoort, The Netherlands  
+31 33 45 45 600  
www.ergotron.com  
info.eu@ergotron.com

**APAC Sale**

Tokyo, Japan  
www.ergotron.com  
apaccustomerservice@ergotron.com

**Worldwide OEM Sales**

www.ergotron.com  
info.oem@ergotron.com

