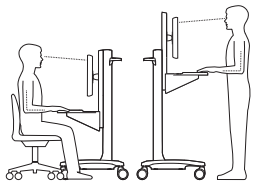
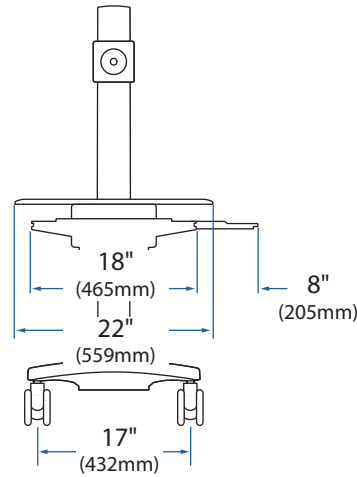
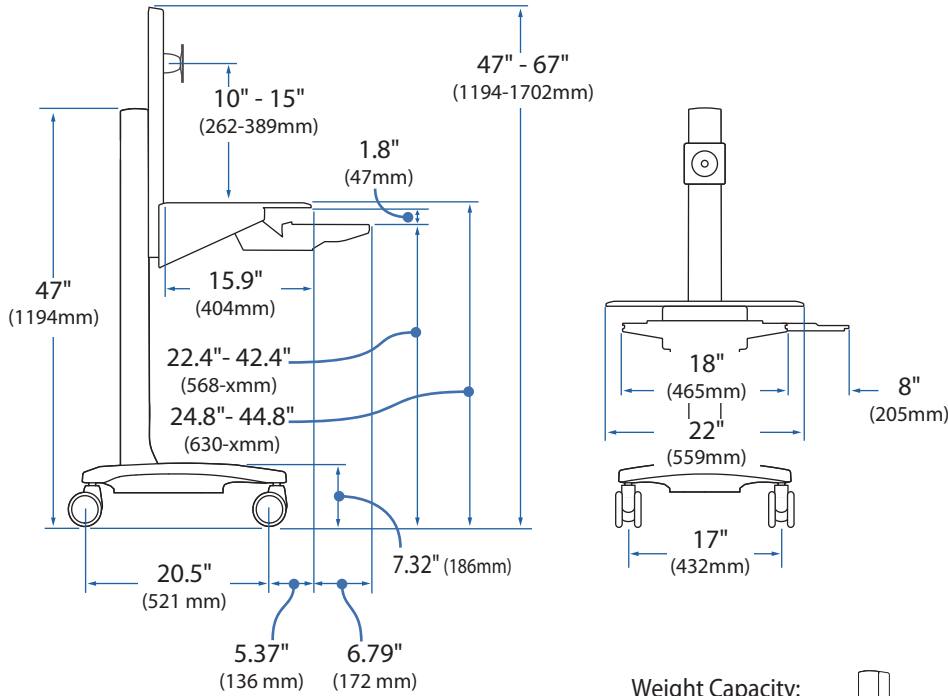
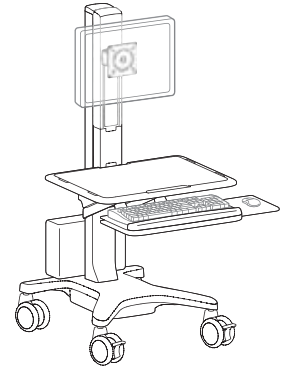


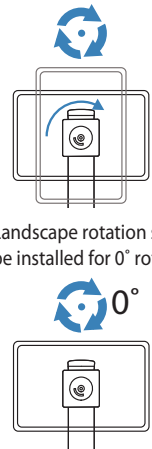
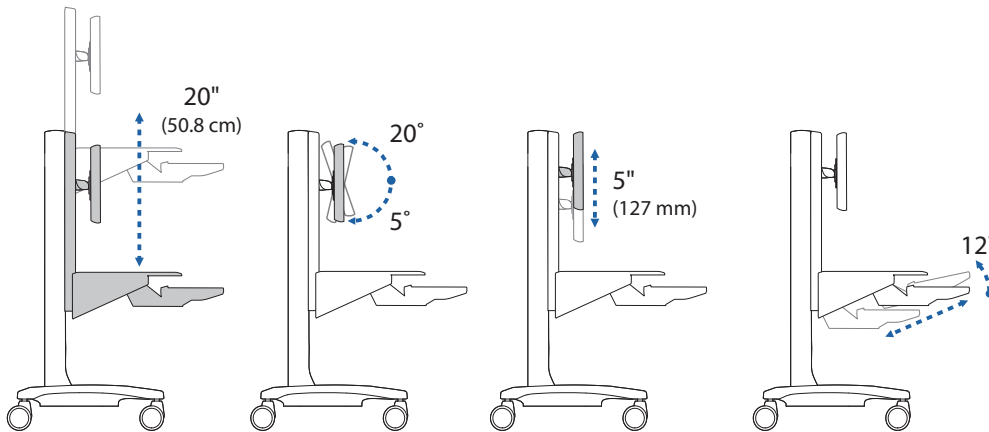
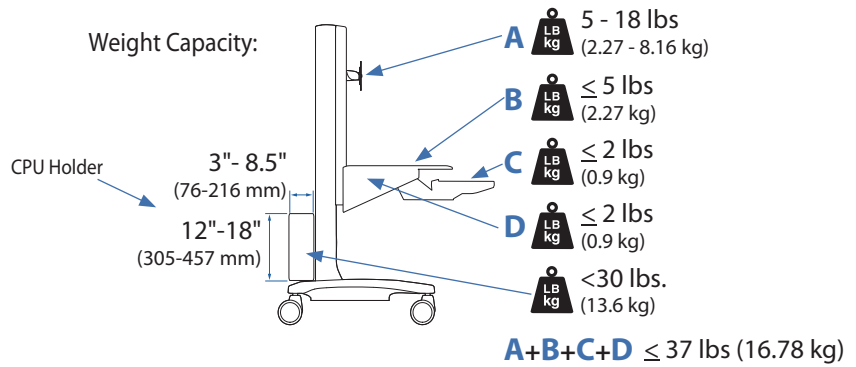
# Ergotron®

## WorkFit-C Single LCD Mount, LD

### Dimensional & Range of Motion Illustrations



### Weight Capacity:



Portrait/Landscape rotation stop screw can be installed for 0° rotation.

© 2013 Ergotron, Inc. rev. 06/10/2013 DIM-WorkFit C-Mod Content is subject to change without notification

#### Americas Sales and Corporate Headquarters

St. Paul, MN USA  
 (800) 888-8458  
 +1-651-681-7600  
 www.ergotron.com  
 sales@ergotron.com

#### EMEA Sales

Amersfoort, The Netherlands  
 +31 33 45 45 600  
 www.ergotron.com  
 info.eu@ergotron.com

#### APAC Sale

Tokyo, Japan  
 www.ergotron.com  
 apaccustomerservice@ergotron.com

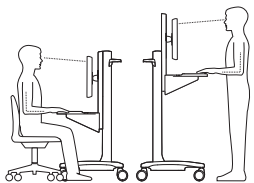
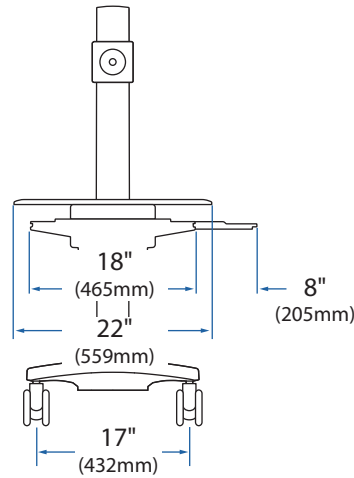
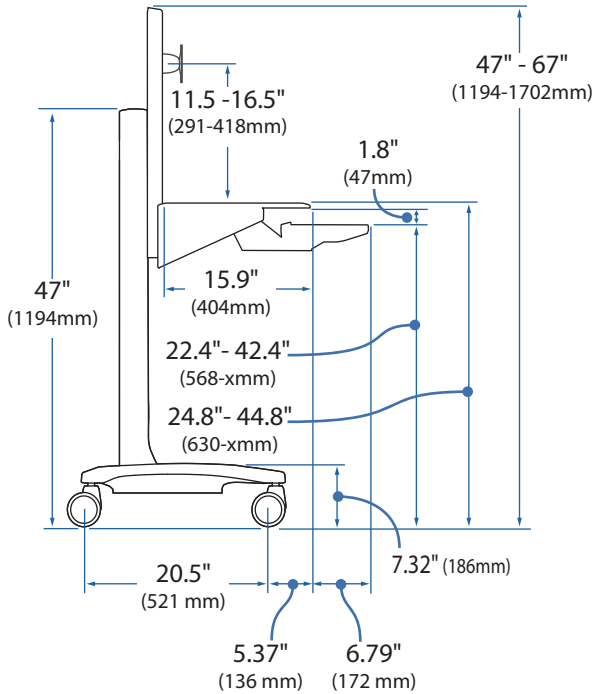
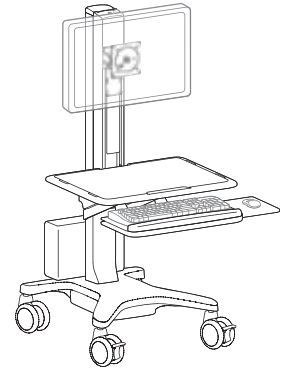
#### Worldwide OEM Sale:

www.ergotron.com  
 info.oem@ergotron.com

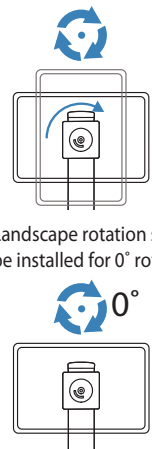
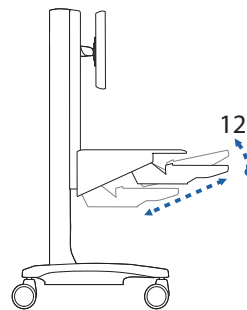
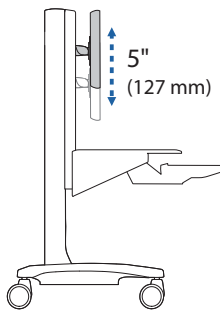
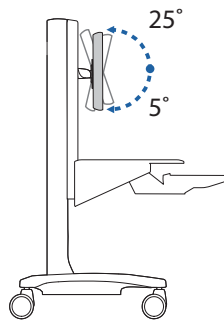
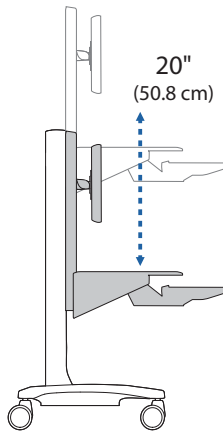
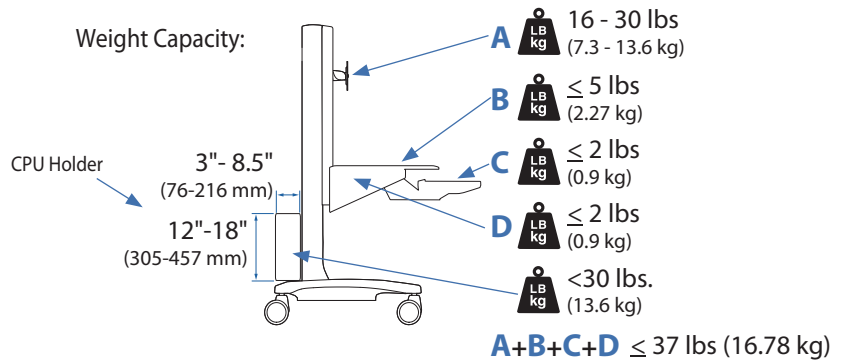


## WorkFit-C Single LCD Mount, HD

### Dimensional & Range of Motion Illustrations



#### Weight Capacity:



Portrait/Landscape rotation stop screw can be installed for 0° rotation.

© 2013 Ergotron, Inc. rev. 06/10/2013 DIM-WorkFit C-Mod Content is subject to change without notification

#### Americas Sales and Corporate Headquarters

St. Paul, MN USA  
 (800) 888-8458  
 +1-651-681-7600  
 www.ergotron.com  
 sales@ergotron.com

#### EMEA Sales

Amersfoort, The Netherlands  
 +31 33 45 45 600  
 www.ergotron.com  
 info.eu@ergotron.com

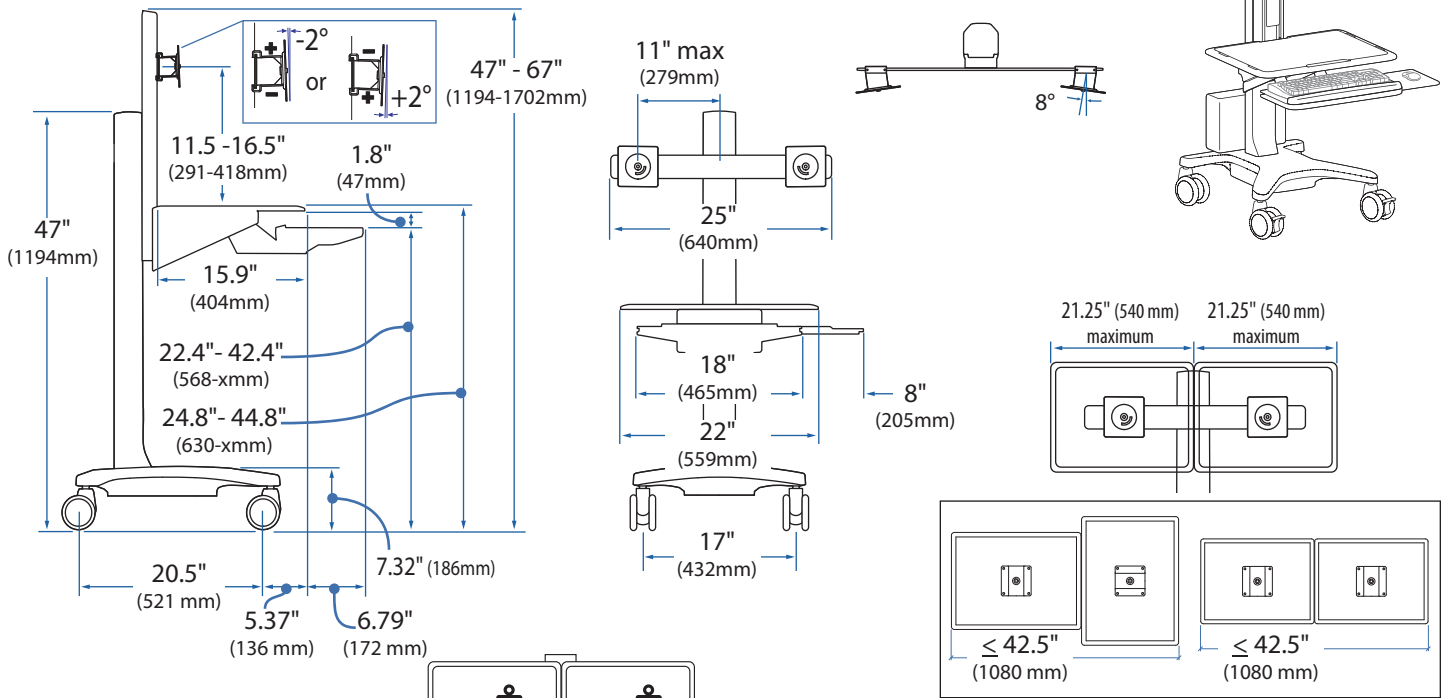
#### APAC Sale

Tokyo, Japan  
 www.ergotron.com  
 apaccustomerservice@ergotron.com

#### Worldwide OEM Sale:

www.ergotron.com  
 info.oem@ergotron.com





#### Weight Capacity:

CPU Holder

3" - 8.5"  
(76-216 mm)  
12" - 18"  
(305-457 mm)

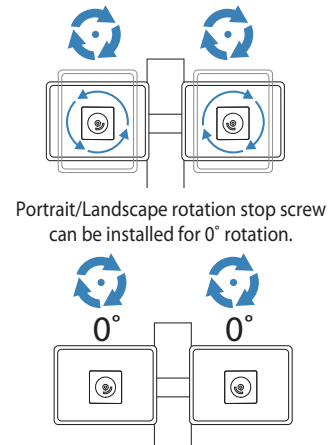
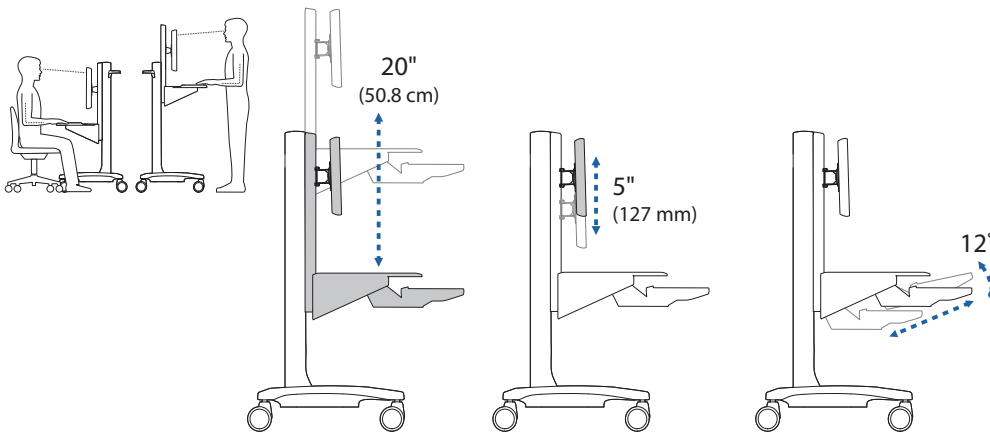


- A** ≤ 5 lbs (2.27 kg)
- B** ≤ 2 lbs (0.9 kg)
- C** ≤ 2 lbs (0.9 kg)
- D** < 30 lbs (13.6 kg)

**Ai:** 6-14 lbs (2.72-6.35 kg)\*  
**Aii:** 6-14 lbs (2.72-6.35 kg)\*  
 \***Ai+Aii** ≤ 28 lbs (12.7 kg)  
**Ai=Aii** ± 1 lbs (.45 kg)

**A+B+C+D** ≤ 37 lbs (16.78 kg)

**\*Attention:** Listed allowable widths assume monitor thickness is 2" (51 mm). If monitor thickness is less, allowable width may be more. Contact Ergotron for details.



© 2013 Ergotron, Inc. rev. 06/10/2013 DIM-WorkFit-C-Mod Content is subject to change without notification

#### Americas Sales and Corporate Headquarters

St. Paul, MN USA  
 (800) 888-8458  
 +1-651-681-7600  
 www.ergotron.com  
 sales@ergotron.com

#### EMEA Sales

Amersfoort, The Netherlands  
 +31 33 45 45 600  
 www.ergotron.com  
 info.eu@ergotron.com

#### APAC Sale

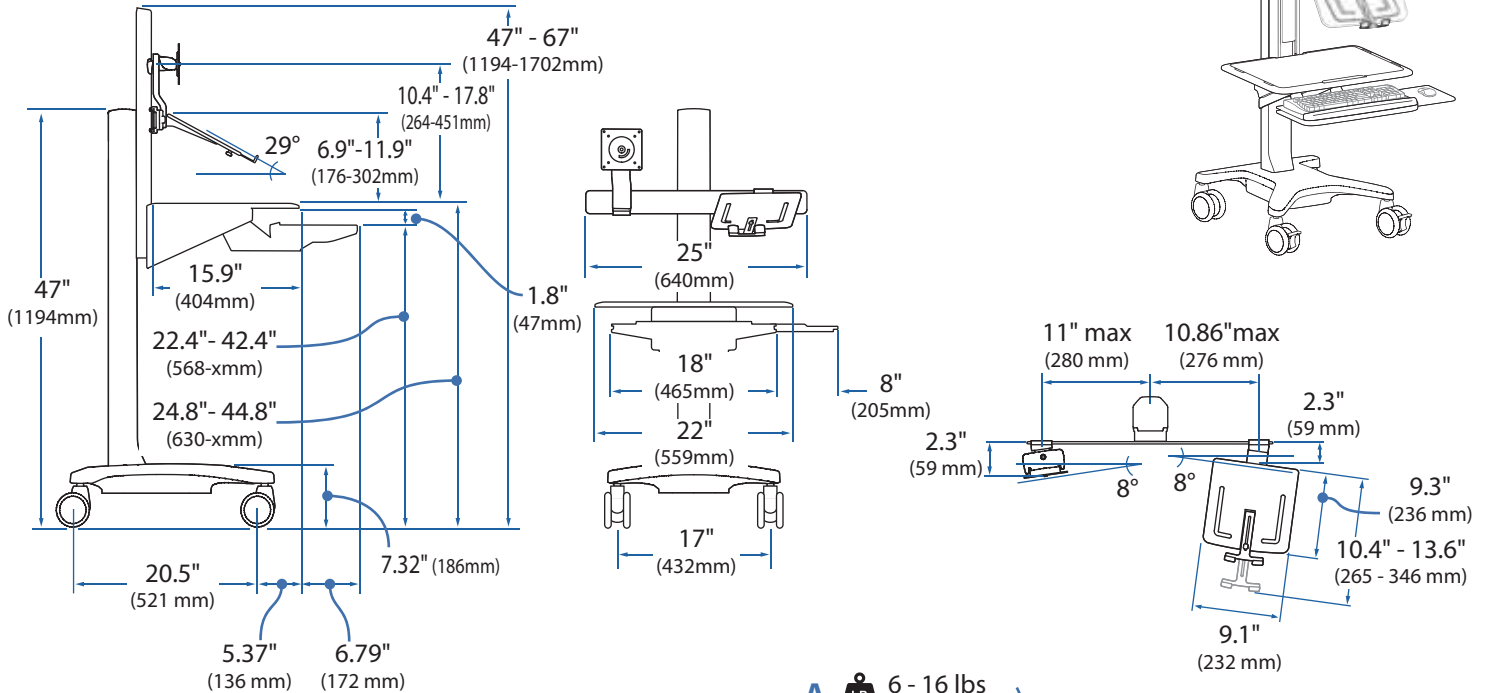
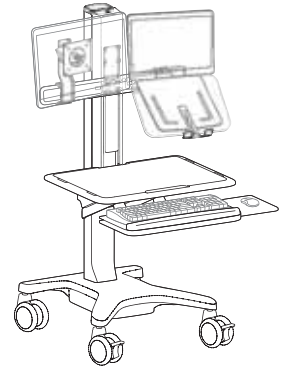
Tokyo, Japan  
 www.ergotron.com  
 apaccustomerservice@ergotron.com

#### Worldwide OEM Sale:

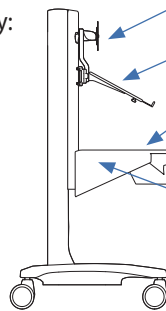
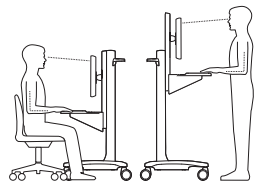
www.ergotron.com  
 info.oem@ergotron.com



### WorkFit-C LCD & Laptop

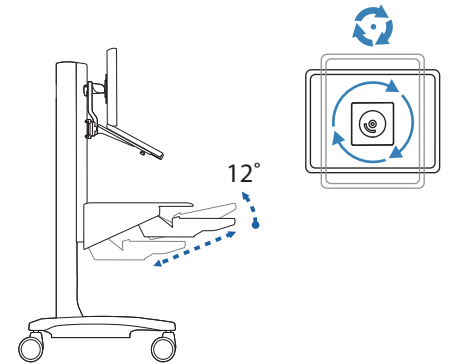
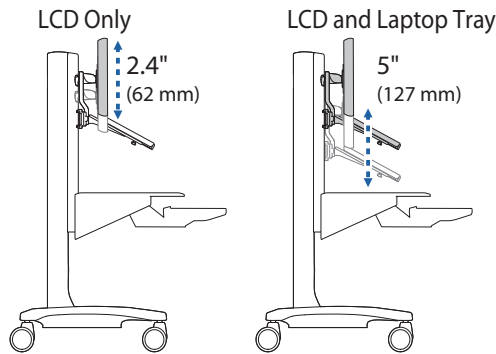
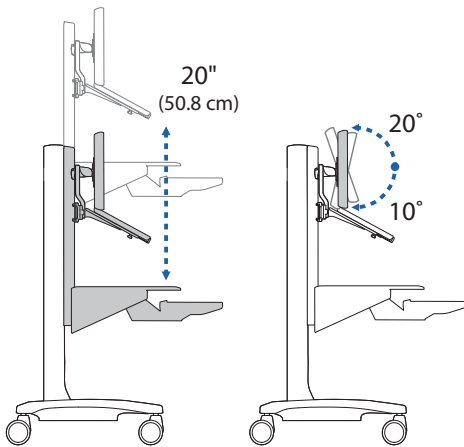


#### Weight Capacity:



- A<sub>1</sub>** 6 - 16 lbs (2.7 - 7.2 kg)
- A<sub>2</sub>** 6 - 10 lbs (2.7 - 4.5 kg)
- B** ≤ 5 lbs (2.27 kg)
- C** ≤ 2 lbs (0.9 kg)
- D** ≤ 2 lbs (0.9 kg)

$$A+B+C+D \leq 37 \text{ lbs (16.78 kg)}$$



© 2013 Ergotron, Inc. rev. 06/10/2013 DIM-WorkFit C-Mod Content is subject to change without notification

#### Americas Sales and Corporate Headquarters

St. Paul, MN USA  
 (800) 888-8458  
 +1-651-681-7600  
 www.ergotron.com  
 sales@ergotron.com

#### EMEA Sales

Amersfoort, The Netherlands  
 +31 33 45 45 600  
 www.ergotron.com  
 info.eu@ergotron.com

#### APAC Sale

Tokyo, Japan  
 www.ergotron.com  
 apaccustomerservice@ergotron.com

#### Worldwide OEM Sales:

www.ergotron.com  
 info.oem@ergotron.com

